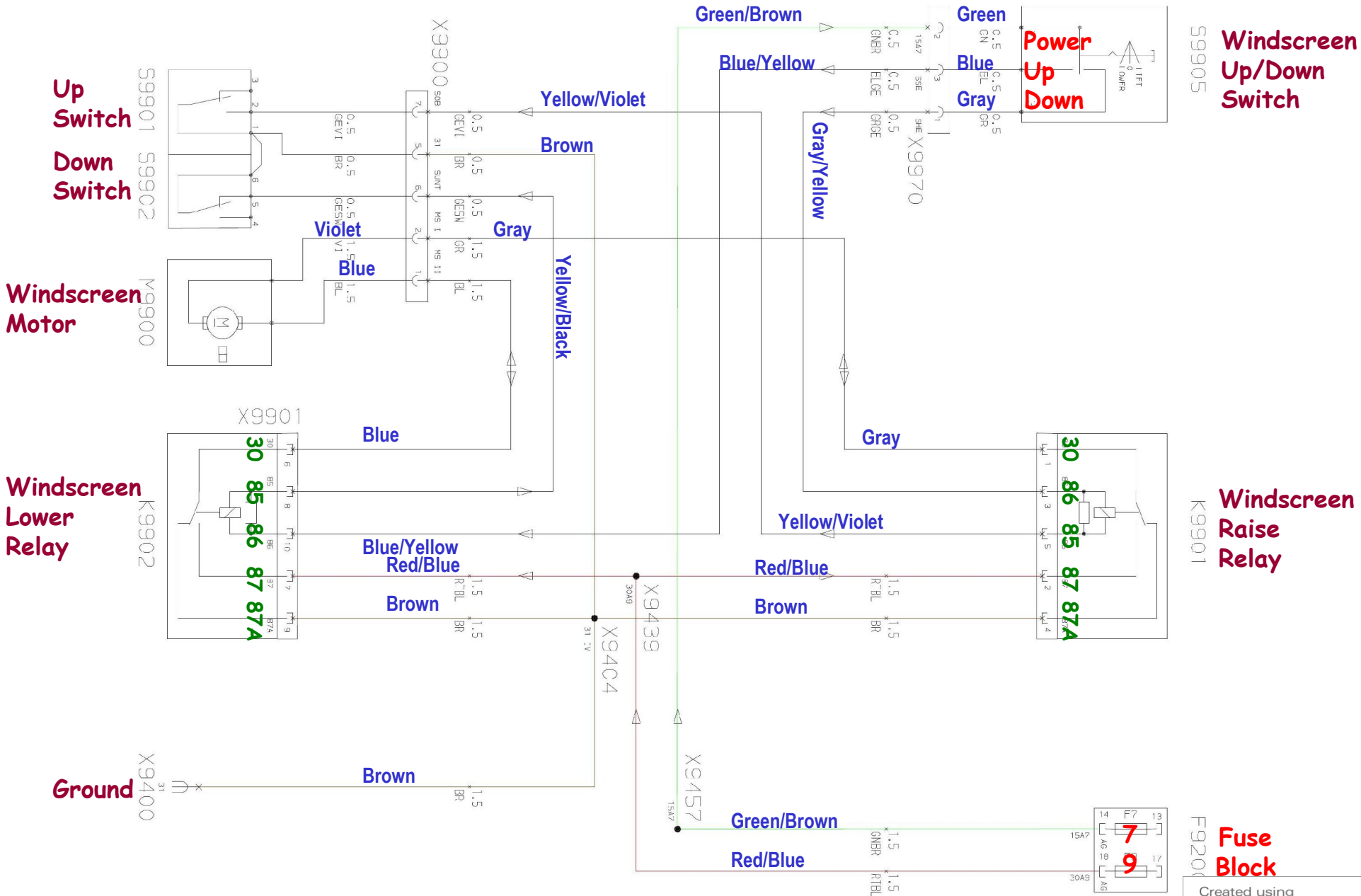


Windscreen 1994 on

10



59905
**Windscreen
Up/Down
Switch**

K9901
**Windscreen
Raise
Relay**

F9200
**Fuse
Block**